



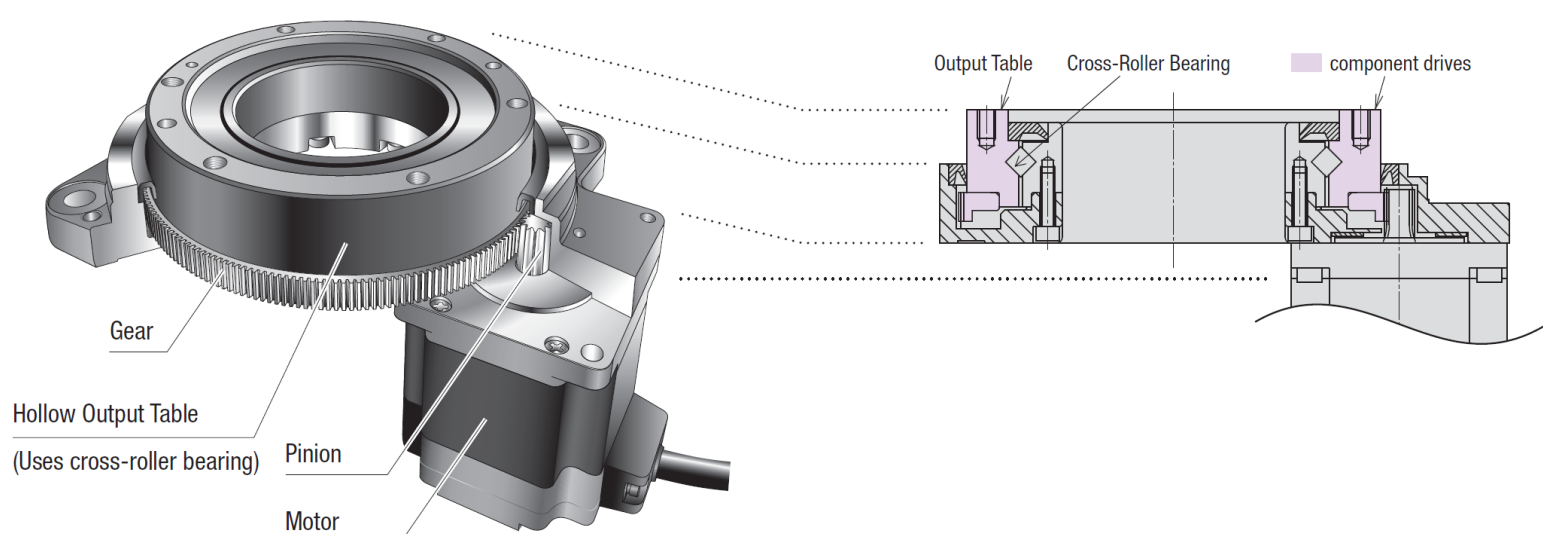
Hollow Rotary Actuators DGII Series

With Built-in AZ Series Battery-Free Absolute Sensor

[Click Here To Request DGII Brochure](#)

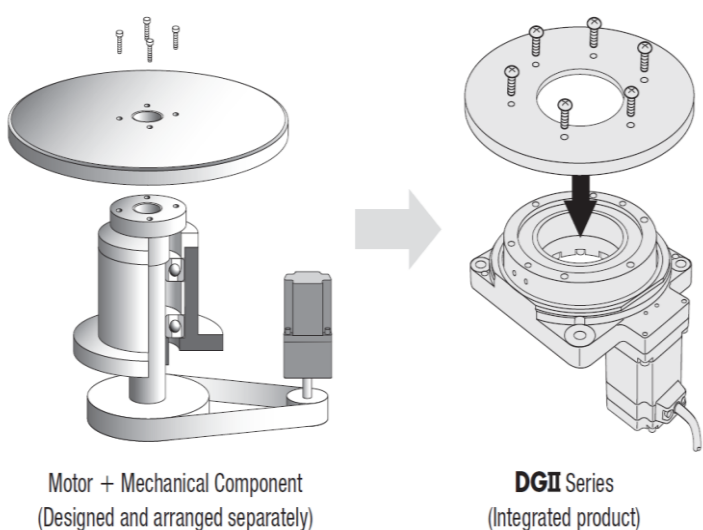
DGII AZ Series

A cross-roller bearing is used on the output table, which allows for both high load and high rigidity.



Simplified Design

Tables and arms can be installed directly onto the output table. This saves the hassle and cost of designing an installation mechanism, arranging necessary mechanism parts, adjusting the belt tension, etc., when mechanical components such as a belt and pulley are used for installation.



High Positioning Accuracy with Non-Backlash

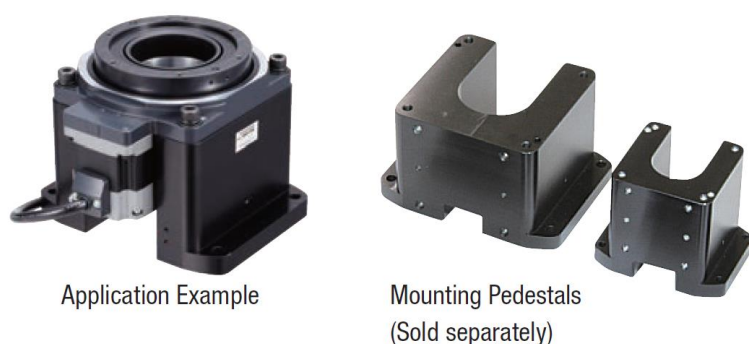
- Non-Backlash
- Repetitive Positioning Accuracy ± 15 arc seconds ($\pm 0.004^\circ$)

Note The repetitive positioning accuracy is measured at a constant temperature (normal temperature) under a constant load.

Mounting Pedestals (Sold separately) are Available as an Accessory

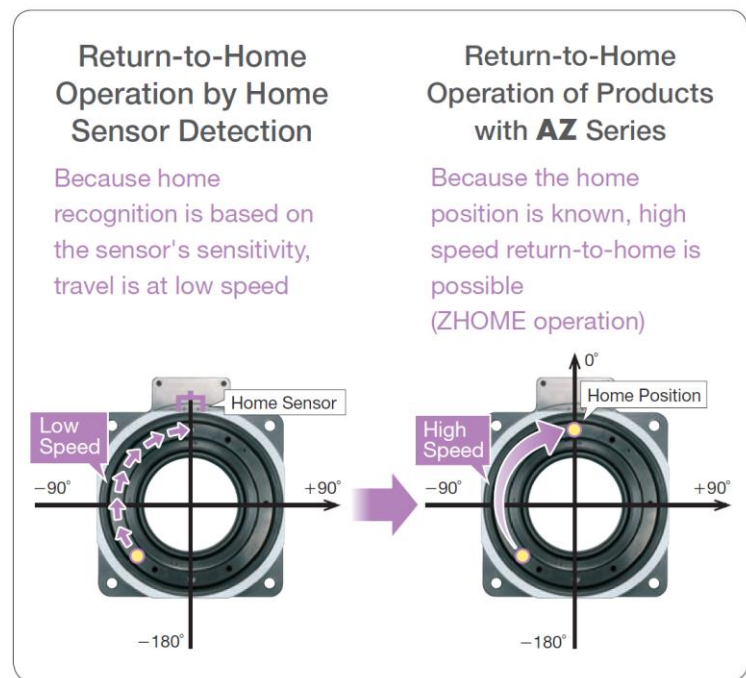
Mounting pedestal accessories are available to assist with the installation of the DGII Series.

- For applicable products, check page 37.



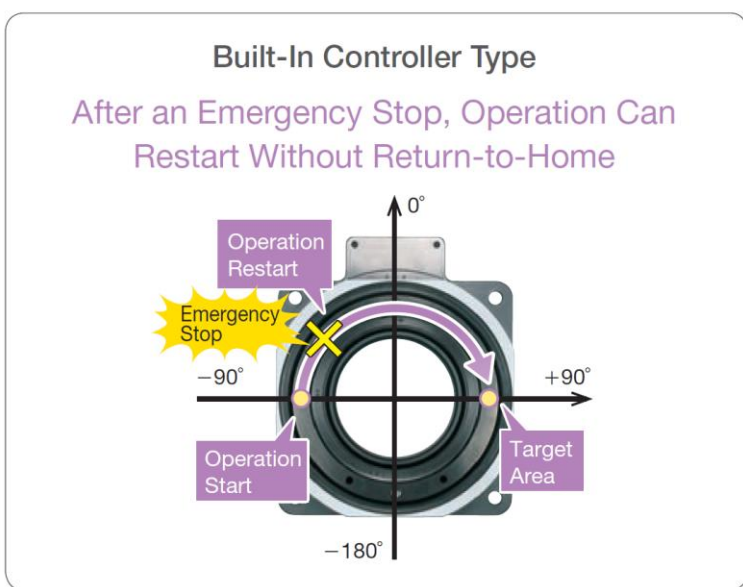
High-Speed Return-to-Home Operation

Because return-to-home is possible without using a home sensor, return-to-home can be performed at high speed without taking the specifications for sensor sensitivity into account, allowing for a shortened machine cycle.



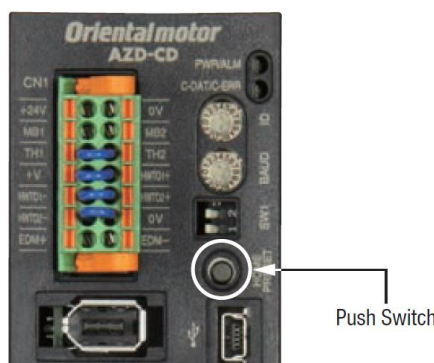
Return-to-Home Not Required

Even if the power shuts down during a positioning operation, the positioning information is retained. Furthermore, for built-in controller types, positioning operations can restart without a return-to-home when recovering from an emergency stop of the production line or a blackout.



Easy Home Position Setting

The home position can be easily set by pressing a switch on the driver's surface, which is saved by the ABZO sensor. In addition, home setting is possible with the **MEXE02** data setting software or by using an external input signal.



[Click Here To Request Product Guide](#)