

Starting Customer Service Centre In Bangalore from 1st Feb 2017

**Available on
Saturdays**

Timing: 9.00am to 18.00pm

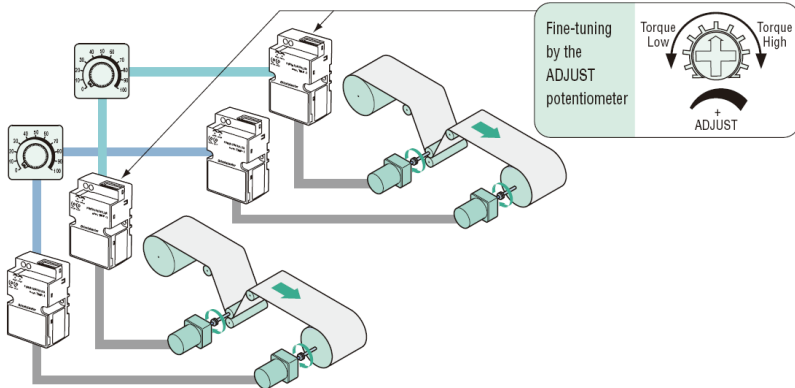
**Toll number : 1800 120 1995
Email: CSC@orientalmotor.co.in**



RoHS Compliant
Torque Motor and Power Controller Package
TM Series

Torque Fine-Tuning Function

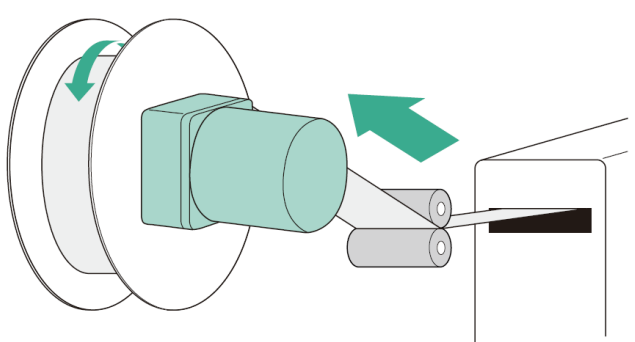
Each motor has a slight variation in its relationship between the set torque and the actual torque output by the motor. The power controller adopted by the **TM Series** has a torque fine-tuning potentiometer (ADJUST potentiometer) for adjusting this variation. This means that even in the case of multi-motor control such as one where multiple motor-operated machines are operated in parallel, the differences among the individual motors can be corrected with ease.



Examples of Torque Motor Application

Shown below are representative examples of utilizing the features of a torque motor.

Winding
The sloping characteristics of a torque motor is ideal for applications where the work is wound at a constant speed and tension.*1



Tensioning (Brake)
The braking force of a torque motor can be used to tension the material as it is wound to remove slacks.*1

