

## How long will you continue using VFD+AC 3 phase motors for conveyor applications?

The New world standard for making conveyor applications using a Stepping Motor..

### Following are the advantages of using Oriental Motor - CVK SC series, 5 phase stepping motor and driver package..

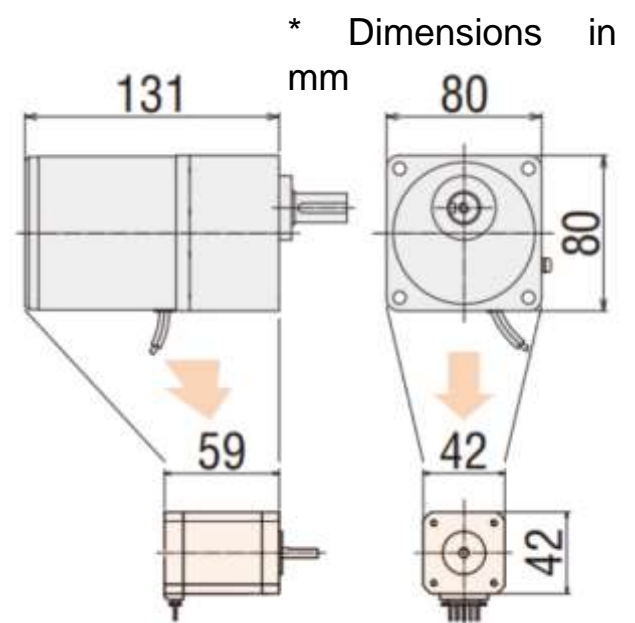
- Motor size reduce..
- Cheaper price..
- Wide speed range..
- High stopping accuracy..
- No vibration & less noise..
- No pulse oscillator required..
- Holding torque at standstill position..



### Dimension Comparison

For example  
 25 W AC Motor, Gear ratio 1:3  
 Weight: **2.15 kg**  
 Torque: **0.41 Nm**

Stepper motor: PKP546N18A2  
 Weight: **0.49 kg**  
 Torque: **0.5 Nm**



AC motor + VFD		Stepping Motor	
25W motor	5,558	PKP546N18A2	4,408
Gear, 1:3	4,153	CVD518B-KSC	13,161
VFD	12,890	LC5N06E	511
<b>Total</b>	<b>22,601</b>	<b>Total</b>	<b>18,080</b>

UP TO **20%** OFF

### Product Demo Video Weblink

[https://www.youtube.com/watch?v=ww9dy-Xey4M&list=PLkiOmuWCtgG71VveQYbUbymJ1dgAbGny\\_&index=41](https://www.youtube.com/watch?v=ww9dy-Xey4M&list=PLkiOmuWCtgG71VveQYbUbymJ1dgAbGny_&index=41)

### For more information please contact:

Location	City	Contact person	Mobile Number	Email ID
West India	Ahmedabad	Mr. Pritesh Trivedi	+91-9879024074	ahmedabad-1@orientalmotor.co.in
	Mumbai	Mr. Pravin Waingade	+91-8080721212	pravin@orientalmotor.co.in
	Pune	Mr. Mahendra Dhakane	+91-9028007004	mahendra@orientalmotor.co.in
North India	Delhi	Mr. Sumit Bhardwaj	+91-9871416363	sumitbhardwaj@orientalmotor.co.in
	Gurgaon			
South India	Bangalore	Mr. Indrakumar	+91-9972490888	sales@orientalmotor.co.in
Other Region	Rest of India			