



CVK Series

2/5 Phase Stepping Motors
24VDC Input Microstep Drivers



Brochure

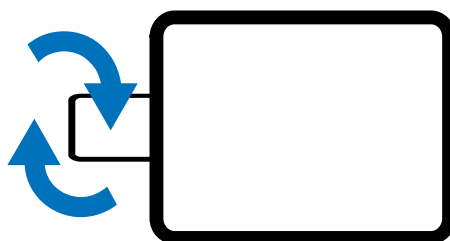


Read More

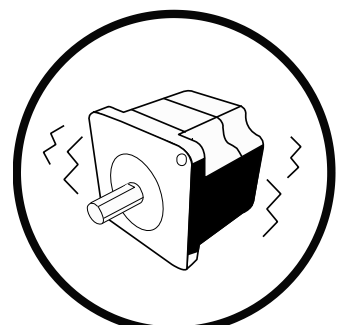
Features



Choice of 2 and 5 phase stepping motors



High Torque characteristics



Low Vibration



Scan/click to view video



Scan/click to view prices



Oriental Motor now sells the CVK Series separately, this is especially useful for customers to keep or buy spare components.

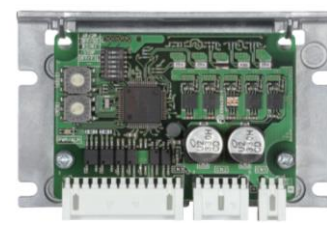
The CVK Series consists of the motor, cable and driver.



Stepping Motor



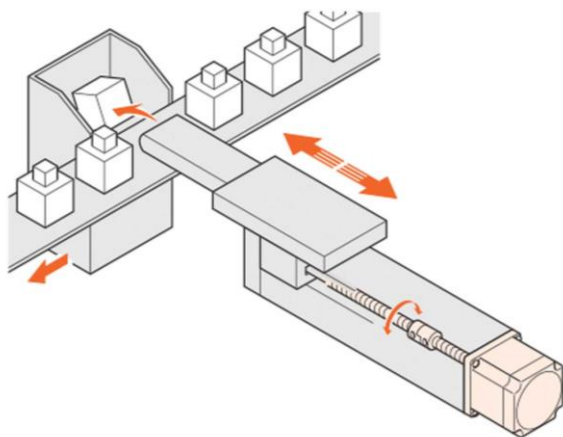
Cable



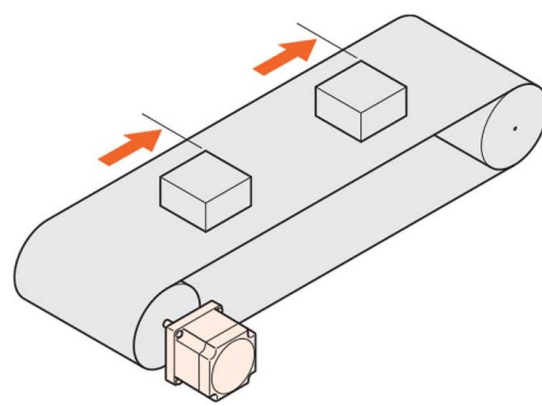
Driver

Application examples

Pushing Arm



Conveyors that require indexing



UPCOMING EVENT



EVENTS SCHEDULE 2020

SEMINAR

23 APR The Bellevue Hotel, Manila, Philippines

EXHIBITION

10 - 12 JUN VIMF, Golden Palace Convention and Exhibition

23 - 25 SEP VIAF, Viet Tiep Cultural Centre, Hai

For more information please contact us:

Tel: +65 6745 7344 or Email us: sales@orientalmotor.com.sg



CUSTOMER SERVICES

We're Online from Mon to Fri (9AM ~ 5PM SGT)



Live Chat



Showroom



Inspection & Repair



Technical Seminars

Check out our latest NEWSLETTERS!

For more information please contact us at : sales@orientalmotor.com.sg Tel : +65 6745 7344

WhatsApp: +65 9187 1994 Or check out our website at : www.orientalmotor.com.sg

