

US Series

Speed Control Motor and Controller

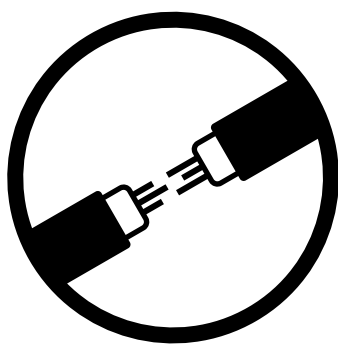


The gearhead shown in the photograph is sold separately.

The **US** Series is a panel installed speed control unit and speed control motor. Wiring is performed through an easy connection method utilizing connectors. This series is optimal for easy speed control applications.



Features



Simple Wiring

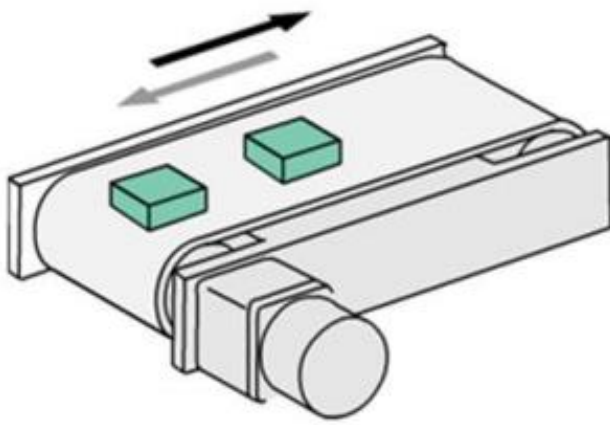


Easy Operation



Variable Speed Range

Application Examples



Conveyor System
Bi-directional



- Protective Earth Terminal on Motor
- Variable Speed Range
 - 50Hz: 90 to 1400 r/min
 - 60Hz: 90 to 1600 r/min



UPCOMING EVENT



EVENTS SCHEDULE 2020

EXHIBITION

23 - 25 SEP VIAF, Viet Tiep Cultural Centre, Hai
18 - 20 NOV VIMF, Golden Palace Convention and Exhibition

For more information please contact us:
Tel: +65 6745 7344 or Email us: sales@orientalmotor.com.sg



CUSTOMER SERVICES

We're Online from Mon to Fri (9AM ~ 5PM SGT)

Live Chat

Showroom

Inspection & Repair

Technical Seminars

Check out our latest NEWSLETTERS!

For more information please contact us at : sales@orientalmotor.com.sg Tel : +65 6745 7344
WhatsApp: +65 9187 1994 Or check out our website at : www.orientalmotor.com.sg

