



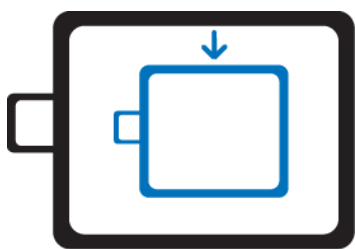
Brushless Motor

BMU Series



The **BMU** Series motors are new brushless motor. They are user-friendly, easy to control. They are widely used to power various devices.

Features



Compact

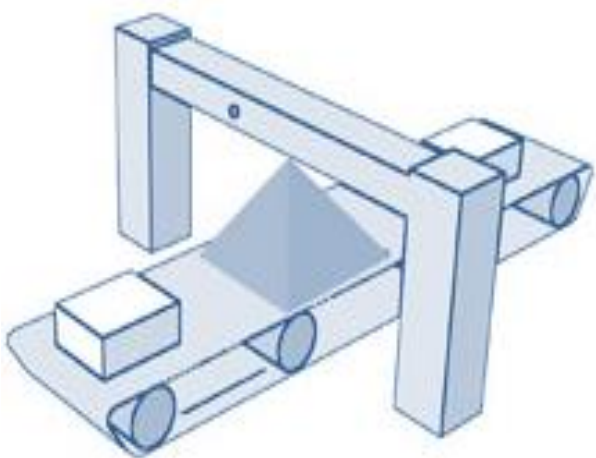


Alarm



Speed Stability

Application Examples



This conveyor is to run at a high speed while transporting products, but slowly during inspection.



CUSTOMER SERVICES

